

### KCG2 & KCG3 BATTERY CHARGER CATALOG

Current \ Voltage	12V	24V	36V	48V	60V	72V	80V	96V	110V	192V	216V	600V
3A											A	C
5A										A	B	C/D
10A				A	A	A	A	A	B	B	C	D/E/F
15A			A			B		B	B	C	C	D/E/F
20A		A		A	B	B	C	C	C	D	D	G
25A			A			C		C	C	D	D	G
30A	A	A		B	C	C	C	C	D	D/E/F	D/E/F	G
40A	A	A	B	C	C	C	D	D	D	D/E/F	D/E/F	
50A	A	B	C	C	C	D	D	D	D/E/F	D/E/G	G	
60A	A	B	C	C	D	D	D	D/E/F	D/E/F	G	G	
70A	B	C	C	D	D	D	D	D/E/F	D/E/F	G	G	
80A	B	C	C	D	D	D	D/E/F	D/E/F	D/E/G	G	G	
90A	B	C	D	D	D	D/E/F	D/E/F	D/E/G	D/E/G			
100A	B	C	D	D	D/E/F	D/E/F	D/E/F	D/E/G	G			
120A	C	C	D	D	D/E/F	D/E/F	D/E/G	G	G			
130A	C	D	D	D/E/F	D/E/F	D/E/G	G	G	G			
150A	C	D	D	D/E/F	D/E/G	G	G	G	G			
180A	C	D/E/F	D/E/F	D/E/G	G	G	G					
200A	C	D/E/F	D/E/F	D/E/G	G	G	G					
250A	D	D/E/F	D/E/G	G	G							

\* The voltage is battery nominal voltage.

KCG2: A B C D E

KCG3: A B C D/D1 E F G/G1 H

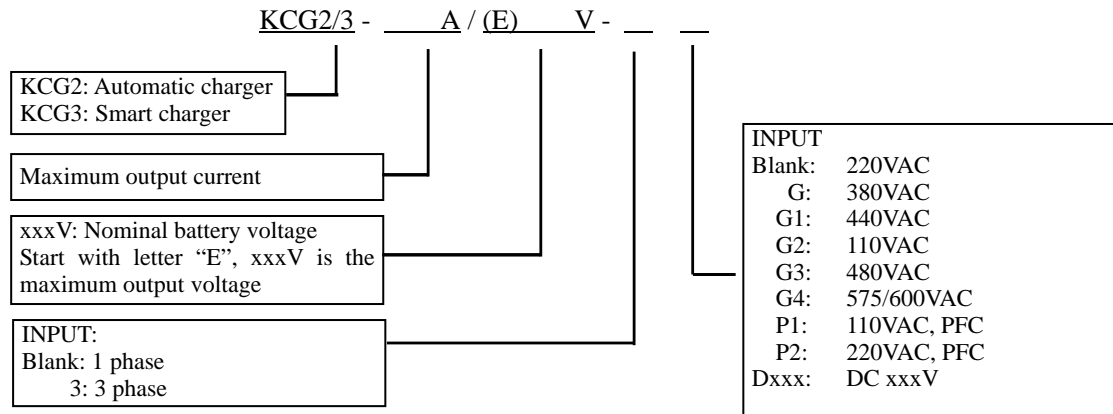
### Dimension

	Dimensions (mm)	Weight (KG)	POWER(KW)
A	Bench mounted, 350×243×113 mm	6-8	≤1.2
	Wall mounted, 350×140×500 mm	10	≤1.2
B	Bench mounted, 370×310×113 mm	8-9	≤1.8
	Wall mounted, 350×140×500 mm	13	≤1.8
C	Bench mounted, 460×350×128 mm	12-14	1.8-3.6
D	Bench mounted, 520×380×150 mm	20-26	4-10
D1	Bench mounted, 520×460×150 mm	25-32	4-12
E	Bench mounted, 550×430×160 mm	25-32	≤12
F	Cabinet, 540×260×1000 mm	50-60	≤10
G	Cabinet, 540×320×1250 mm	75-95	≤20
G1	Cabinet, 540×320×1000 mm	70-90	≤15
H	Cabinet, 680×400×1500 mm	140-160	≤50

Copyright, Beiyang Electric Apparatus Factory

This document contains the company proprietary information

## Naming



We could design according to the customer's requirement, which is not listed above. Please contact us for details. Email: [info@byauto.com.cn](mailto:info@byauto.com.cn).

For more details, please visit [www.byauto.com.cn](http://www.byauto.com.cn).